

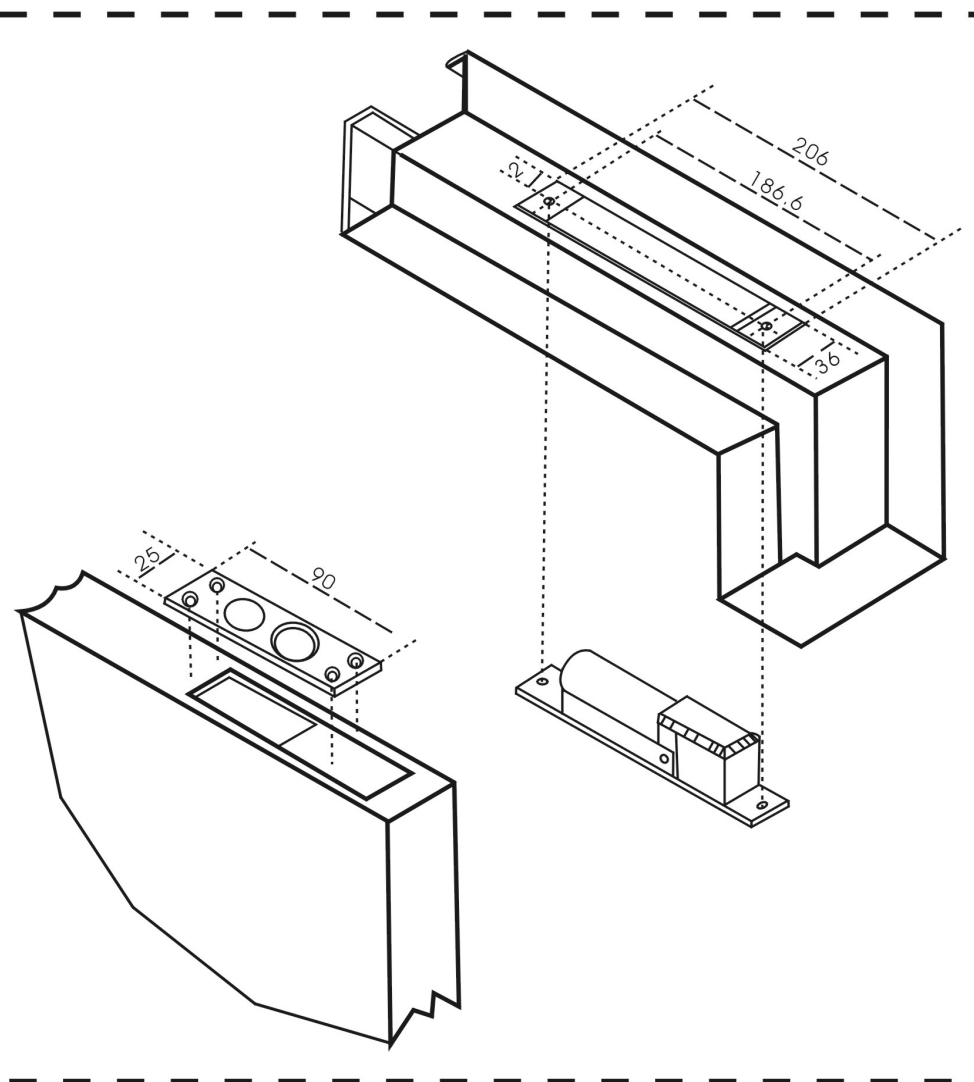
Ultralow temperatured multi-functional electronic Bolt lock

Model NO.

Model NO.	
Power supply	DC12V/1A
Electronic lock consumption current	On status:960mA, Normal Status:130Ma
Door lock delay time	0 sec, 3 sec, 6 sec, 9 sec (can be adjusted by user)
Signal output	With N.C(0.5A)connecting point
Lock unit dimension	205(L)x35(W)x42(H)mm
Lock cylinder covered board	90(L)x25(W)x2(H)mm Stainless steel
Lock cylinder dimension	17mm(convex length)*16mm(diameter)stainless steel
Safty precautions	(1) electricity off type safty lock (2) functional optical coupling opened door input buton connecting point (3) Anti-protection design for power positive and negative connecting

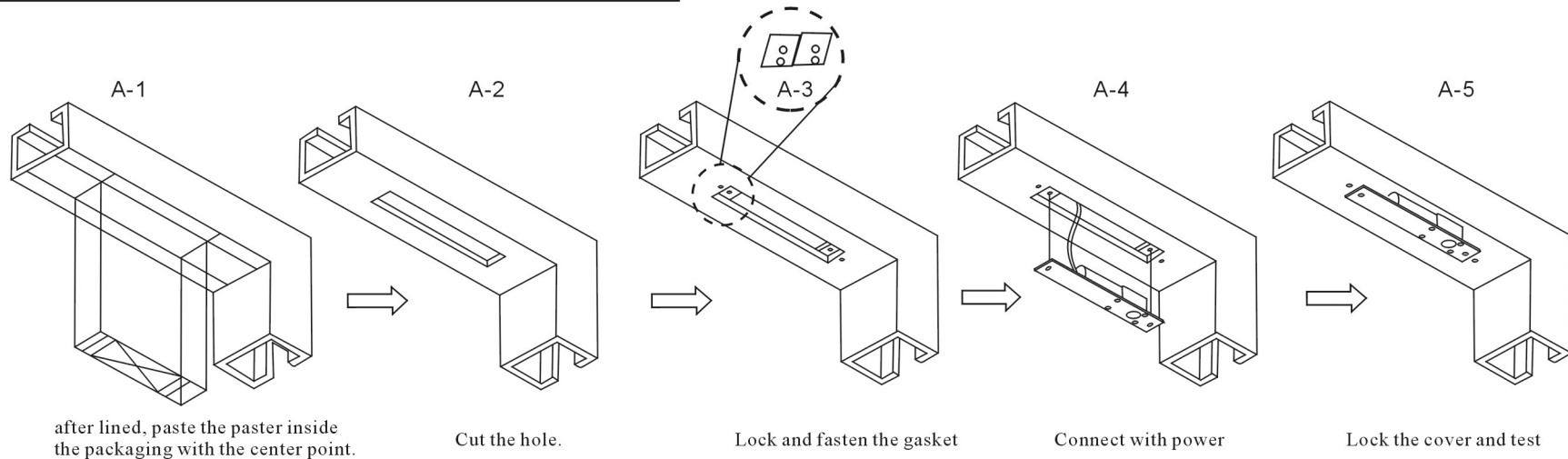
Color	Spec.
Red	+DC12V
Black	-GND
Yellow	Button switch+(brown)
white	Nomally open terminal (door site reccing magnetic reed)
blue	End of line terminal (door site reccing magnetic reed)

- 1.newest design, ultralow power working
- 2.low temperature design, safe and durable
- 3.professional design, with dual power protection
- 4.protect design, positive and negative wrong connection protect
- 5.authority certificate, CE, MA certificates
- 6.professional setting, with built-in absorber

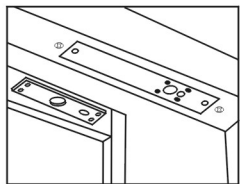


Fixing Sketch map

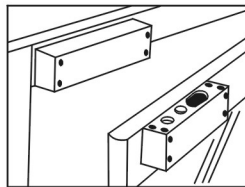
A	B	C	D	E	F	G
207	36	12	91	26	21	13



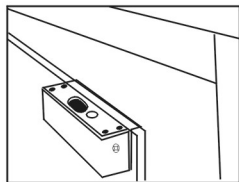
Standard embedded fixing sketch



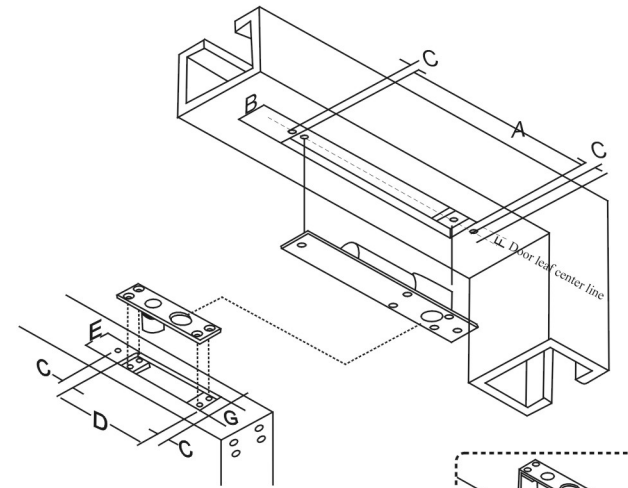
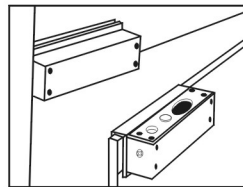
Exposed fixing sketch (sash is too narrow)



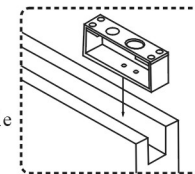
Set on the unframed glass with the electronic-lock nog



All unframed glass doors, glass walls fixing sketch



C type frame used for additional setting to fasten the induction iron chip while the metal frame has any concave on the door leaf



Above sheet is for cutting and holing dimensions and places of all typs electronic locks, and shows all the cutting lock faces, Embedded spaces and fitting places of the screws according to the Opening paper of each type.